

Tank cleaning

SC SCANCUT-235-H

Introduction

The Scanjet SC SCANCUT-235-H is a state-of-the-art solution for industrial tank maintenance/tank cleaning. It is a hydraulically powered cutting tool specifically designed for precision cutting of holes in tank roofs. Designed with safety, efficiency and versatility in mind, this tool is essential for facilitating the installation of tank cleaning machines. Its certification for use in ATEX Zone 0 environments makes sure it meets the most stringent safety standards for operation in hazardous areas.

Application

The cutting tool is specifically designed to cut precise 160 mm diameter holes tailored for the installation of Scanjet tank cleaning machines, such as the SC 60A and SC 60H models. It is used in cases where cleaning cannot be performed through existing tank openings, such as those from support legs.

The SCANCUT safely cuts new hole and is ATEX certified for Zone 0. Designed for:

- Oil storage tanks, fixed or floating roofs
- Other tanks requiring a new tank opening

Working principle

The SC SCANCUT-235-H is hydraulically powered, with a drive unit mounted on a cutter body for robust cutting performance. The cutting process is powered by a hydraulic motor that rotates the cutting bits. Cutting depth and speed are manually controlled from the handle, with progress indicated on a tachometer. It is equipped with two interchangeable standard cutting bits for effective cutting and a magnet to securely hold the cut-out steel plate to prevent it from falling into the tank.

Benefits

- ATEX Zone 0 certified for safe use in hazardous areas
- Stainless steel construction, durable design
- Powerful, consistent cutting tool
- Lightweight for easy handling
- Low maintenance and quick bit changes for efficiency



Related product

- SC 60A: Air operated tank cleaning machine for cleaning oil storage tanks
- SC 60H: Hydraulically operated tank cleaning machine for cleaning oil storage tanks

Accessories

The SC SCANCUT-235-H comes with a wide range of accessories:

- Service kits; Scanjet service kits include what is required for every specific service with up-to-date genuine spare parts
- Optional extension

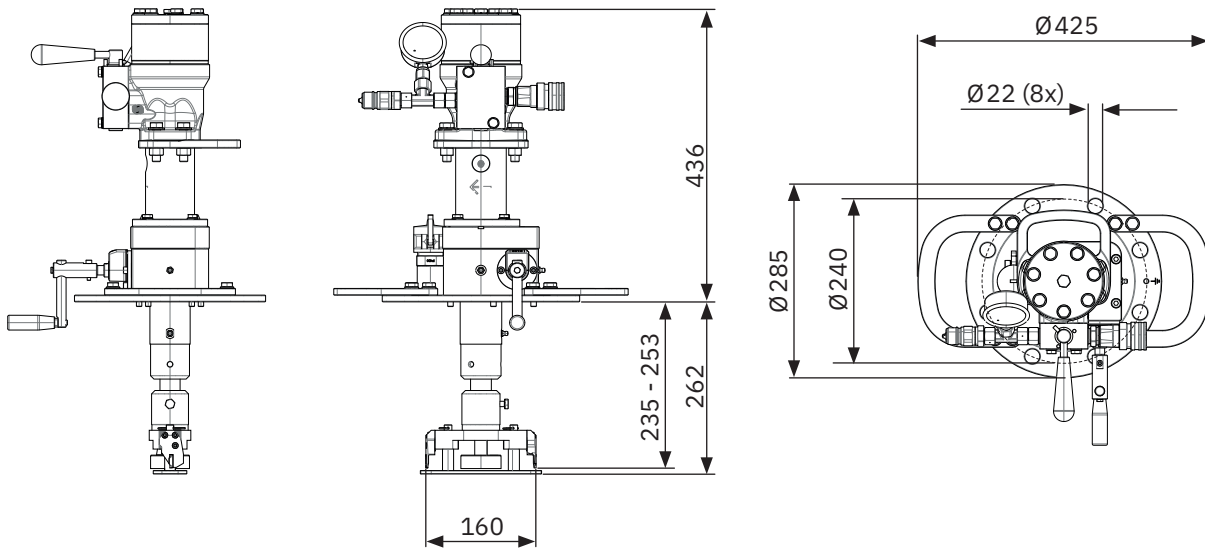


Technical data

Weight:	40 kg (88 lb)
Operating hydraulic pressure:	6–10 bar (87–145 psi)
Max operating hydraulic pressure:	12 bar (174 psi)
Max hydraulic flow:	24 l/min
Max rotation speed:	60 rpm

Max plate thickness:	8 mm (0.31 in)
Max hydraulic oil temperature:	60 °C (140 °F)
Diameter of hole in tank:	160 mm
Recommended cooling fluid:	Rocol Ultracut Long Life or equivalent

Dimensions



Issue: Scanjet-SC_SCANCUT_235_H-datasheet_v20240228

This document and its contents are subject to copyrights and other intellectual property rights owned by Scanjet Marine & Systems AB or any of its affiliates (jointly "Scanjet"). No part of this document may be copied, re-produced or transmitted in any form or by any means, or for any purpose, without Scanjet's prior express written permission. Information and services provided in this document are made as a benefit and service to the user, and no representations or warranties are made about the accuracy or suitability of this information and these services for any purpose.

© Scanjet Marine & Systems AB. All rights are reserved.