

Tank cleaning

SC 90T2

Introduction

The Scanjet SC90T2 is a rotary jet head that delivers powerful jets of cleaning media to every corner of a tank. Designed to meet the highest standard of quality, safety and performance.

Application

The SC 90T2 is suitable for a wide range of tank sizes and shapes, as well as different types of cleaning media, such as water, steam or chemicals. SC 90T2 can be used for both periodic and continuous cleaning operations, depending on the needs and preferences of the user.

Easily installed and operated, the SC 90T2 is a versatile and reliable tank cleaning solution that can improve the efficiency, quality, and safety of the tank cleaning process.

Working principle

SC 90T2 works by using pressure and flow of the cleaning media to drive a turbine that rotates the jet head. The turbine is connected to a programmable drive unit that controls the speed and direction of the rotation. The drive unit has a magnetic transmission that allows the jet head to be detached from the tank without braking the seal.

Benefits

- Magnetic transmission
- Custom made
- Available in different materials
- Can be ordered as whole, split or folded
- Highest standard cleaning result
- Grease lubricated drive unit

Accessories

The SC 90T2 comes with a wide range of accessories:

- Service kits; Scanjet service kits include what is required for every specific service with up-to-date genuine spare parts
- WASHTRAC; Monitors the tank cleaning system



Performance data

Nozzle size	Supply pressure							
	6 bar (87 psi)		8 bar (116 psi)		10 bar (145 psi)		12 bar (174 psi)	
	Flow ¹ m ³ /h (USgpm)	Jet length m (feet)	Flow ¹ m ³ /h (USgpm)	Jet length m (feet)	Flow ¹ m ³ /h (USgpm)	Jet length m (feet)	Flow ¹ m ³ /h (USgpm)	Jet length m (feet)
Ø 20 mm ²	40 (176)	28 (92)	46 (203)	31 (102)	51 (225)	32 (105)	55 (242)	32 (105)
Ø 22 mm ²	46 (203)	30 (98)	53 (233)	32 (105)	59 (260)	35 (115)	65 (286)	37 (121)
Ø 24 mm	53 (233)	31 (102)	61 (269)	33 (108)	68 (299)	36 (118)	74 (326)	38 (125)
Ø 26 mm	61 (269)	32 (105)	70 (308)	34 (112)	78 (343)	38 (125)	86 (379)	38 (125)
Ø 28 mm	69 (304)	33 (108)	79 (348)	35 (115)	88 (387)	38 (125)	96 (423)	40 (131)
Ø 29 mm	72 (317)	33 (108)	82 (361)	35 (115)	92 (405)	38 (125)	100 (440)	40 (131)
Ø 30 mm	77 (339)	33 (108)	87 (383)	35 (115)	97 (427)	38 (125)	106 (467)	40 (131)
Ø 32 mm	83 (365)	33 (108)	95 (418)	35 (115)	105 (462)	38 (125)	114 (502)	40 (131)
Ø 34 mm	89 (392)	32 (105)	103 (453)	34 (112)	114 (502)	37 (121)	125 (550)	39 (128)

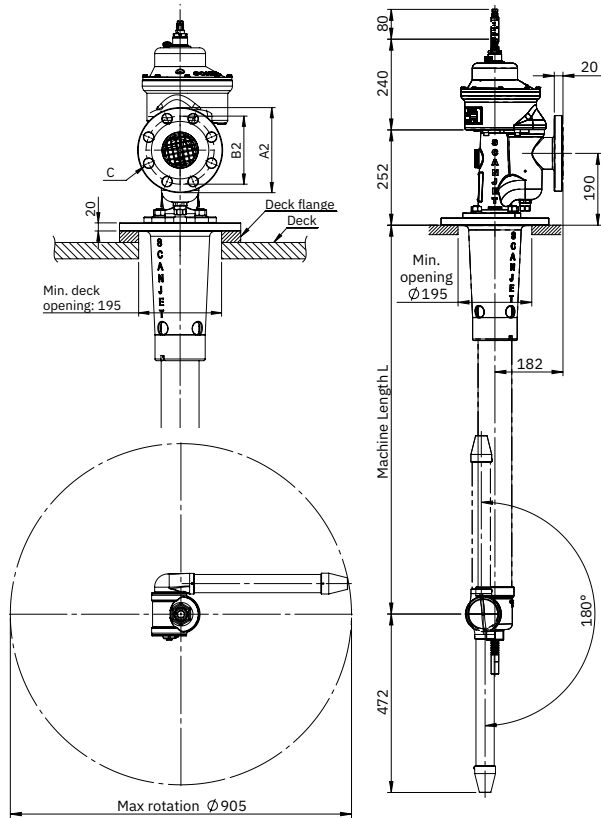
¹ Because of variations in part wear, water temperature, installation etc., the flow may differ ±10% from specified value.

Technical data

SC 90T2

Flow:	40–125 m ³ /h (176–550 USgpm)
Inlet pressure:	6–12 bar (87–174 psi)
Min operating temperature:	-20 °C (-4 °F) Arctic version: -45 °C (-49 °F)
Max operating temperature:	95 °C (203 °F)
Rotation speed:	0.5–1.5 rpm (Can be slower in colder climate.)
Weight (Machine length, L=1 m):	62 kg (137 lb)
Per additional meter of main pipe:	15 kg (33 lb)
Weight (Drive unit)	12 kg (26 lb)
Material; Main pipe:	Galvanized steel or Stainless steel (According to order.)
Material; Inlet housing:	Galvanized steel
Material; Other parts:	Manufacturer's standard

Dimensions



Issue: Scanjet-SC_90T2-datasheet_v20240118

This document and its contents are subject to copyrights and other intellectual property rights owned by Scanjet Marine & Systems AB or any of its affiliates (jointly "Scanjet"). No part of this document may be copied, re-produced or transmitted in any form or by any means, or for any purpose, without Scanjet's prior express written permission. Information and services provided in this document are made as a benefit and service to the user, and no representations or warranties are made about the accuracy or suitability of this information and these services for any purpose.

© Scanjet Marine & Systems AB. All rights are reserved.