

## Tank cleaning

# SC 60H

### Introduction

The Scanjet SC 60H is an advanced hydraulic operated tank cleaning machine designed for crude oil storage tanks with limited access, providing a no-man entry solution. The slim design enables the SC 60H to fit through support leg openings on floating-roof tanks or similar access points. If no access points are available, new holes can easily be made with the Scanjet SCANCUT tool, which safely cuts a hole in the tank top. The SCANCUT tool and SC 60H are certified to be operated in ATEX zone 0.

### Application

The SC 60H has targeted sector cleaning capabilities, making sure of efficient cleaning in hard to clean areas, such as the tank bottom where sludge build-up over time.

The SC 60H is excellent in handling solids found in crude oil, including larger particles, making it highly effective for challenging tank cleaning tasks where reliability and robustness are key element for a successful cleaning.

### Working principle

The cleaning media is fed from the supply line into the inlet housing, then through the main pipe to the nozzle and out into the tank. The drive rotates and elevates the nozzle, cleaning the tank in a spherical cleaning pattern. The rotation speed of the machine can be easily set to the desired speed by adjusting the hydraulic oil flow. The rotation and elevation of the nozzle are visually indicated on the scale on the drive unit, and the sensors mounted in the drive unit are used to calculate the nozzle position very accurately, both in the horizontal and vertical axis.

### Benefits

- Capable of handling large solids
- Durable industrial design
- Slim design for easy installation through existing support legs
- ATEX zone 0
- Targeted sector cleaning
- No-man entry = safe working environment
- Nozzle orientation sensors

### Accessories

The SC 60H comes with a wide range of accessories:

- Flexible adapter for support leg installation



## Performance data

Nozzle size	Supply pressure <sup>2</sup>							
	6 bar (87 psi)		8 bar (116 psi)		12 bar (174 psi)		16 bar (232 psi)	
	Flow <sup>1</sup> m <sup>3</sup> /h (USgpm)	Jet length m (feet)	Flow <sup>1</sup> m <sup>3</sup> /h (USgpm)	Jet length m (feet)	Flow <sup>1</sup> m <sup>3</sup> /h (USgpm)	Jet length m (feet)	Flow <sup>1</sup> m <sup>3</sup> /h (USgpm)	Jet length m (feet)
Ø 16 mm	24.5 (108)	23 (75)	28.5 (125)	26 (85)	34.5 (152)	29 (95)	40.5 (178)	29 (95)
Ø 18 mm	30 (132)	24 (79)	34.5 (152)	27 (89)	42 (185)	30 (98)	49 (216)	30 (98)
Ø 20 mm	36 (159)	25 (82)	41.5 (183)	28 (92)	50.5 (222)	31.5 (103)	57 (251)	32 (105)
Ø 22 mm	42 (185)	27 (89)	48 (211)	29.5 (97)	58.5 (258)	32.5 (107)	65 (286)	34 (112)
Ø 24 mm	48 (211)	28 (92)	55.5 (244)	31.5 (103)	67.5 (297)	35.5 (116)	73.5 (324)	37 (121)
Ø 26 mm	53.5 (236)	30 (98)	61.5 (271)	34 (112)	75 (330)	37.5 (123)	80 (352)	38.5 (126)
Ø 28 mm	58.5 (258)	30 (98)	67.5 (297)	33 (108)	82.5 (363)	37 (121)	87 (383)	39 (128)
Ø 30 mm	63 (277)	29 (95)	73 (321)	35.5 (116)	89 (392)	37 (121)	92.5 (407)	39.5 (130)

<sup>1</sup> Because of variations in part wear, water temperature, installation etc., the flow may differ ±10% from specified value.

<sup>2</sup> Refer to the instruction manual for more performance data.

## Technical data

### SC 60H-WU

Flow: See table in Performance data

Inlet pressure: 6–16 bar (87–232 psi)

Maximum pressure: 16 bar (232 psi)

Rotation speed, cleaning: Max 1.5 rpm (Acc. to software)

Rotation speed, fast movement: Max 3.0 rpm (Acc. to software)

Min temperature of fluid: -20 °C (-4 °F)

Max temperature of fluid: Temp. class T4: 95 °C (203 °F)  
Temp. class T5: 80 °C (176 °F)

Min/Max ambient temperature: -20 °C (-4 °F) / 60 °C (140 °F)

Noise level: 75 dB(A)

Weight (Machine length, L=1 m): 58 kg (128 lb)

Per additional meter of main pipe: 12 kg (26 lb)

Material, Inlet housing/Main pipe: Stainless steel

Material, Other parts: Manufacturer's standard

### Drive unit – SC161

Drive type: Hydraulic

Hydraulic oil working pressure: 0–100 bar (0–1450 psi)

Maximum hydraulic oil pressure: 100 bar (1450 psi)

Hydraulic oil working flow: 0-16 l/min (0-4.2 USgpm)

Max hydraulic oil temperature: 40 °C (104 °F)

Hydraulic connection, inlet/outlet: TEMA 5000 1/2", female/male

Vertical sector: Continuously 0°–140°

Elevation: 3.55 ° per rev.

Min/Max air operating temp.: -20 °C (-4 °F) / 60 °C (140 °F)

Dimensions L/W/H: 500 x 210 x 342 (391) mm  
19.7 x 8.3 x 13.5 (15.4) in

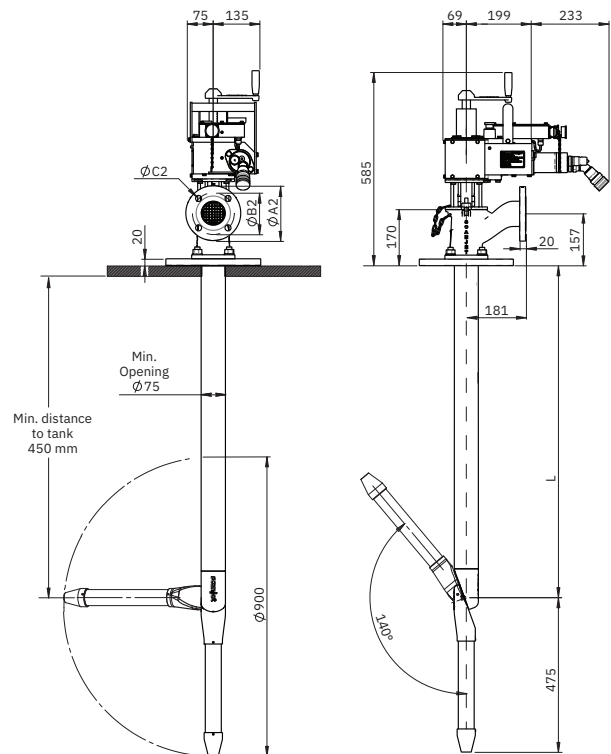
Weight: 24.2 kg (53.4 lb)

Material, Main covers: Stainless steel, Aluminium

Material, Wash unit connection: Stainless steel

Material, Other parts: PEEK, PTFE

## Dimensions



Issue: Scanjet-SC\_60H-datasheet\_v20240228

This document and its contents are subject to copyrights and other intellectual property rights owned by Scanjet Marine & Systems AB or any of its affiliates (jointly "Scanjet"). No part of this document may be copied, re-produced or transmitted in any form or by any means, or for any purpose, without Scanjet's prior express written permission. Information and services provided in this document are made as a benefit and service to the user, and no representations or warranties are made about the accuracy or suitability of this information and these services for any purpose.

© Scanjet Marine & Systems AB. All rights are reserved.