

Tank cleaning

BIO 25

Introduction

The Scanjet BIO 25 is a hygienic rotary jet head tank cleaning machine designed for industrial use. The robust design makes sure that it can be used in the toughest environment in a wide range of applications.

Application

The BIO 25 is hygienically designed, characterized by its self-draining and self-cleaning features. This makes sure that not only the tank is cleaned but also that the cleaning machine itself is cleaned, minimizing the risk of cross-contamination. Cleaning is completed significantly faster compared to conventional methods, thereby freeing up more time for production. For low TCO (Total-cost-ownership), select the BIO 25 for an ideal solution to keep your cleaning expenses at a minimum.

Typical application for the BIO 25:

- Food, Beverage, Dairy
- Fermentation
- Pharma
- As well as industrial application, such as Pulp & Paper, Chemical etc.

For peace of mind, combine the BIO 25 with the WASHTRAC sensor to validate the cleaning process. WASHTRAC monitors the cleaning process and if any unforeseen issues arise, like a nozzle blockage or a drop in pump pressure, it can be used to trigger an error alarm in the PLC/control system.

Working principle

As the cleaning liquid enters the machine, it moves through the turbine and proceeds to the worm gearbox. The turbine's spin powers the high-torque worm gearbox, setting the cleaning machine into a rotational motion. As both the tank cleaning machine's body and nozzle housing rotate, powerful water jets are released through four nozzles, producing a 360° criss-cross cleaning pattern hitting the entire tank surface. In addition, there are two dedicated nozzles for self-cleaning of the outer surface of the machine.

This guarantees thorough cleaning of all surfaces, minimizing the risk of contamination and ensures highest product quality.



Benefits

- Hygienic design minimizes the risk of cross contamination
- Fast cleaning enables more time for production
- Low TCO (total cost of ownership)
- Robust design allows 500/1,000 hours of operation between maintenance
- Powerful jets for high impact and long jet reach

Accessories

The BIO 25 comes with a wide range of accessories:

- Weld adaptor for sanitary installation
- WASHTRAC sensor
- Service KIT's for 500/1,000 hours operation
- Tool KIT & assembly fixture for easy maintenance
- Material certificate according to EN10204-3.1

Performance data

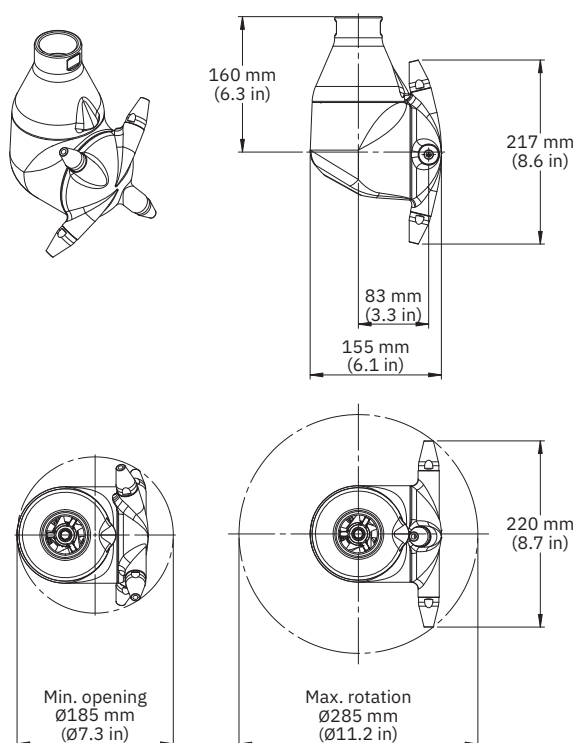
Nozzle size	Supply pressure							
	4 bar (58 psi)		6 bar (87 psi)		8 bar (116 psi)		10 bar (145 psi)	
	Flow ¹ m ³ /h (USgpm)	Jet length m (feet)	Flow ¹ m ³ /h (USgpm)	Jet length m (feet)	Flow ¹ m ³ /h (USgpm)	Jet length m (feet)	Flow ¹ m ³ /h (USgpm)	Jet length m (feet)
4 x Ø 6 mm	12 (52.8)	6.5 (21)	14.7 (64.7)	8 (26)	17 (74.8)	9 (30)	19 (83.7)	10 (33)
4 x Ø 7 mm	15.7 (69.1)	7 (23)	19.3 (85.0)	9 (30)	22.3 (98.2)	10 (33)	24.8 (109.2)	11 (36)
4 x Ø 8 mm	20.4 (89.8)	8 (26)	25 (110.1)	10 (33)	29 (127.7)	11 (36)	32.3 (142.2)	12 (39)
4 x Ø 9 mm	24.5 (107.9)	9 (30)	30.2 (133.0)	11 (36)	35 (154.1)	12 (39)	39 (171.7)	13 (43)
4 x Ø 10 mm	28.8 (126.8)	10 (33)	35.4 (155.9)	12 (39)	40.5 (178.3)	13 (43)	45.3 (199.4)	14 (46)

¹ Because of variations in part wear, water temperature, installation etc., the flow may differ ±10% from specified value.

Technical data

Flow:	10.3–45.3 m ³ /h (36.1–199.4 USgpm)
Operating pressure range:	3–14 bar (44–203 psi)
Nominal pressure range:	5–12 bar (73–174 psi)
Maximum pressure:	14 bar (203 psi)
Maximum operating temperature:	95 °C (203 °F)
Maximum ambient temperature:	140 °C (284 °F)
Weight:	7 kg (15.4 lb)
Material:	AISI 316L, PEEK, Al ₂ O ₃

Dimensions



Issue: Scanjet-BIO_25-datasheet_v20241031

This document and its contents are subject to copyrights and other intellectual property rights owned by Scanjet Marine & Systems AB or any of its affiliates (jointly "Scanjet"). No part of this document may be copied, re-produced or transmitted in any form or by any means, or for any purpose, without Scanjet's prior express written permission. Information and services provided in this document are made as a benefit and service to the user, and no representations or warranties are made about the accuracy or suitability of this information and these services for any purpose.

© Scanjet Marine & Systems AB. All rights are reserved.