

Tank cleaning

BIO 10

Introduction

The Scanjet BIO 10 is a hygienic rotary jet head tank cleaning machine designed for industrial use. The robust design makes sure that it can be used in the toughest environment in a wide range of applications.

Application

In Industrial application it is commonly used in Food, Beverage, Dairy but also finds it use in more industrial application such as Pulp&Paper, Industrial fermentation and many more.

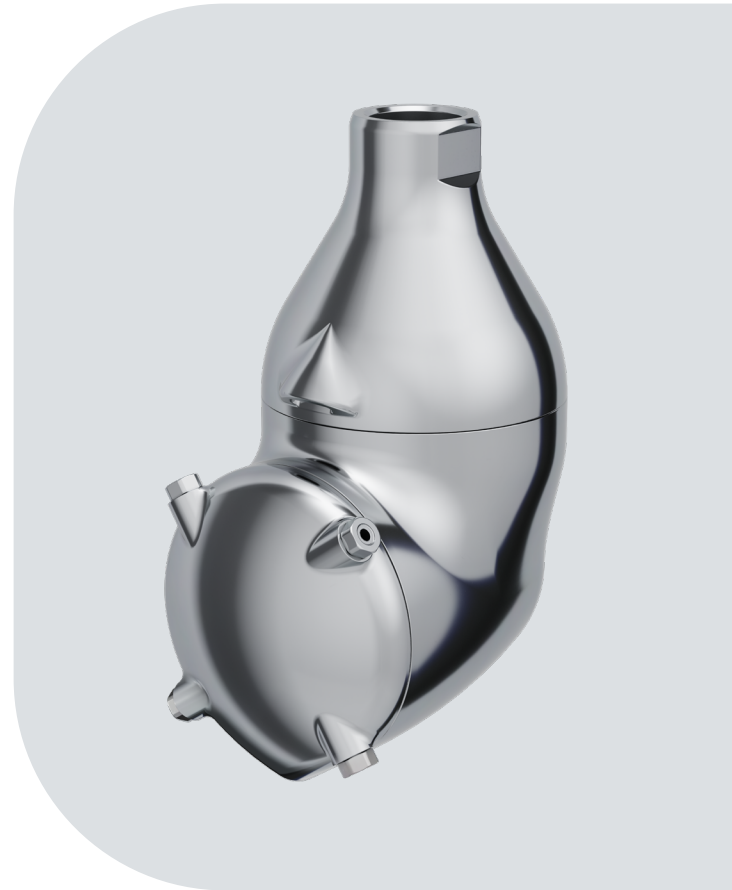
The BIO 10 is hygienically designed, characterized by its self-draining and self-cleaning features. This make sure that not only the tank is cleaned but also that the cleaning machine itself is cleaned, minimizing the risk of cross-contamination. Cleaning is completed significantly faster compared to conventional methods, thereby freeing up more time for production. For low TCO (Total-cost-ownership), select the BIO 10 for an ideal solution to keep your cleaning expenses at a minimum.

For peace of mind, combine the BIO 10 with the WASHTRAC sensor to validate the cleaning process. WASHTRAC monitors the cleaning process and if any unforeseen issues arise, like a nozzle blockage or a drop in pump pressure, it can be used to trigger an error alarm in the PLC/control system.

Working principle

As the cleaning liquid enters the machine, it moves through the turbine and proceeds to the worm gearbox. The turbine's spin powers the high-torque worm gearbox, setting the cleaning machine into a rotational motion. As both the tank cleaning machine's body and nozzle housing rotate, powerful water jets are released through four nozzles, producing a 360° criss-cross cleaning pattern hitting the entire tank surface. In addition, there are two dedicated nozzles for self-cleaning of the outer surface of the machine

This guarantees thorough cleaning of all surfaces, minimizing the risk of contamination and ensures highest product quality.



Benefits

- Hygienic design minimizes the risk of cross contamination
- Fast cleaning enables more time for production
- Low TCO (total cost of ownership)
- Robust design allows 600/1,200 hours of operation between maintenance
- Powerful jets for high impact and long jet reach

Accessories

The BIO 10 comes with a wide range of accessories:

- Weld adaptor for sanitary installation
- WASHTRAC sensor
- Service KIT's for 600/1,200 hours operation
- Tool KIT & assembly fixture for easy maintenance
- Material certificate according to EN10204-3.1



Performance data

Nozzle size	Supply pressure							
	3 bar (44 psi)		4 bar (58 psi)		5 bar (73 psi)		6 bar (87 psi)	
	Flow ¹ m³/h (USgpm)	Jet length m (feet)	Flow ¹ m³/h (USgpm)	Jet length m (feet)	Flow ¹ m³/h (USgpm)	Jet length m (feet)	Flow ¹ m³/h (USgpm)	Jet length m (feet)
4 x Ø 3.0 mm	4.3 (18.9)	4 (13)	5 (22.0)	4.3 (14)	5.6 (24.7)	4.5 (15)	6.2 (27.3)	4.7 (15)
4 x Ø 3.5 mm	4.9 (21.6)	4.5 (15)	5.7 (25.1)	4.7 (15)	6.4 (28.2)	5 (16)	7 (30.8)	5.5 (18)
4 x Ø 4.0 mm	5.3 (23.3)	5 (16)	6.2 (27.3)	5.5 (18)	7 (30.8)	6 (20)	7.8 (34.3)	6.3 (21)
4 x Ø 4.5 mm	6.1 (26.9)	5.5 (18)	7.2 (31.7)	6 (20)	8.1 (35.7)	6.5 (21)	8.9 (39.2)	7 (23)
4 x Ø 5.5 mm	7.7 (33.9)	6 (20)	9.0 (39.6)	6.5 (21)	10.1 (44.5)	7 (23)	11.1 (48.9)	7.5 (25)

¹ Because of variations in part wear, water temperature, installation etc., the flow may differ ±10% from specified value.

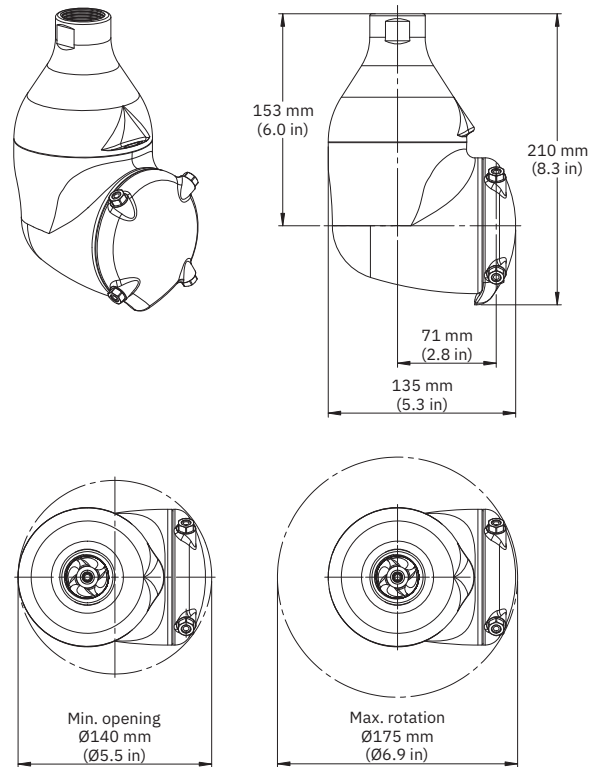
Nozzle size	Supply pressure							
	7 bar (102 psi)		8 bar (116 psi)		9 bar (131 psi)		10 bar (145 psi)	
	Flow ¹ m³/h (USgpm)	Jet length m (feet)	Flow ¹ m³/h (USgpm)	Jet length m (feet)	Flow ¹ m³/h (USgpm)	Jet length m (feet)	Flow ¹ m³/h (USgpm)	Jet length m (feet)
4 x Ø 3.0 mm	6.7 (29.5)	5 (16)	7.2 (31.7)	5.2 (17)	7.7 (33.9)	5.5 (18)	8.1 (35.7)	6 (20)
4 x Ø 3.5 mm	7.7 (33.9)	6.3 (21)	8.2 (36.1)	6.3 (21)	8.7 (38.3)	6.5 (21)	9.2 (40.5)	7 (23)
4 x Ø 4.0 mm	8.5 (37.4)	6.5 (21)	9.2 (40.5)	6.8 (22)	9.7 (42.7)	7.5 (25)	10.2 (44.9)	7.7 (25)
4 x Ø 4.5 mm	9.7 (42.7)	7.5 (25)	10.4 (45.8)	7.7 (25)	11.1 (48.9)	8 (26)	11.7 (51.5)	8.5 (28)
4 x Ø 5.5 mm	12 (52.8)	9 (30)	12.8 (56.4)	8.5 (28)	13.6 (59.9)	9.5 (31)	14.3 (63.0)	9.5 (31)

¹ Because of variations in part wear, water temperature, installation etc., the flow may differ ±10% from specified value.

Technical data

Flow:	4–14 m³/h (18.9–63 USgpm)
Operating pressure range:	3–8 bar (44–116 psi)
Nominal pressure range:	5–7 bar (73–102 psi)
Maximum pressure:	12 bar (174 psi)
Maximum operating temperature:	95 °C (203 °F)
Maximum ambient temperature:	140 °C (284 °F)
Weight:	5 kg (11 lb)
Material:	AISI 316L, Tefzel, PEEK, EPDM, Al ₂ O ₃

Dimensions



Issue: Scanjet-BIO_10-datasheet_v20240118

This document and its contents are subject to copyrights and other intellectual property rights owned by Scanjet Marine & Systems AB or any of its affiliates (jointly "Scanjet"). No part of this document may be copied, re-produced or transmitted in any form or by any means, or for any purpose, without Scanjet's prior express written permission. Information and services provided in this document are made as a benefit and service to the user, and no representations or warranties are made about the accuracy or suitability of this information and these services for any purpose.

© Scanjet Marine & Systems AB. All rights are reserved.