

SC 30T

Scanjet tank cleaning equipment



KEY FEATURES

SC 30T

- Magnetic Transmission
- Fully programmable
- Minimized cleaning time
- Separated turning and lifting movements
- Strainer standard
- WashTrac™ (option)
- Drive unit can be removed without exposing tank to atmosphere
- No gearbox inside tank
- AISI 316 and PTFE
- Prewash program
- Grease lubricated drive unit

Scanjet Model SC 30T is driven by the cleaning media by means of a fixed installed turbine with an integrated programmable drive unit. The permanent lubrication means an oil-free drive unit and the patented magnetic transmission allow an exchange of the drive unit without exposing the tank to the outside atmosphere.

Powerful single nozzle tank cleaning machine

The single nozzle concept gives a very solid and powerful jet with an optimized cleaning result on all tank surfaces. It has the unique separated turning and lifting movements and a rapid manual overdrive for sector cleaning setting.

Self draining nozzle

The nozzle assembly is self draining and the machine has a full 0-180 degrees cleaning range. The patented design is in accordance with IMO-Marpol requirements.

Fully programmable

The SC 30T is fully programmable to meet multiple cleaning needs. Various cleaning programs, including prewash, can be chosen during or before the cleaning operation.

Integration with WashTrac™

Fully prepared for integration with WashTrac™ tank cleaning monitoring system.

Typical applications for SC 30T:

- Chemical carriers
- Product carriers
- Crude oil tankers
- Offshore applications

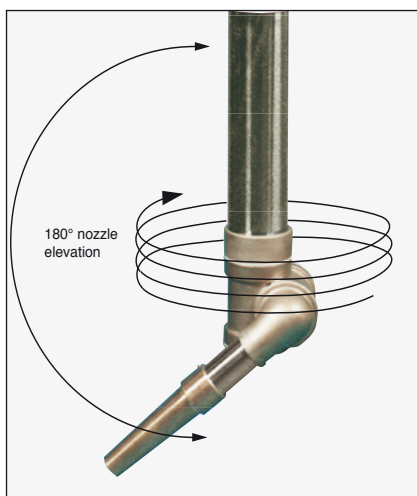
SC 30T



SC 30T

Scanjet tank cleaning equipment

Nozzle spiral motion



180° nozzle elevation for complete cleaning range coverage and the unique separated lifting and turning movements.

Single nozzle – optimal impact



Crude oil washing certified.



Water washing.



Easy program selection including pre-wash.



The drive unit can be removed without oil spill or exposing tank to atmosphere.



Connection to WashTrac™ as option.

GENERAL ADVANTAGES

- Maintenance free system below deck
- Fully programmable machines
- Cleaning with closed hatch conditions
- Minimized cleaning time
- Minimized cleaning media consumption
- Dry (oil-free) drive unit
- Filter in front of turbine
- Portable cleaning machines, long hoses etc. minimized
- Production, design and spares direct from factory
- Optimal tankcleaning economy
- Drive unit may be replaced or serviced without exposing tank to atmosphere
- Free design service
- Computerized shadow diagram calculation
- Passivation of stainless steel tanks allowed for

SC 30T

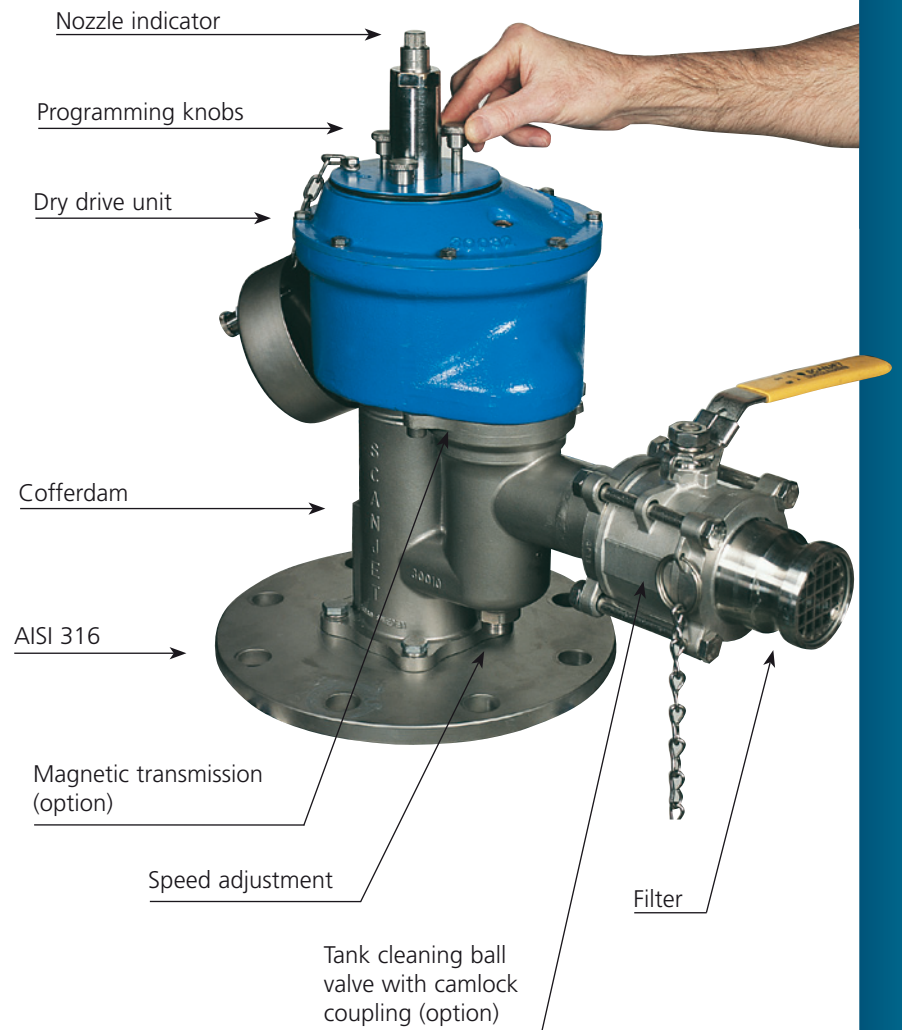
Developed for the third millennium the Scanjet Model SC 30T offers the latest technology in tank cleaning.

The machine is produced in AISI 316 meeting all standard specifications.

Any desired starting position of the nozzle will be reached in just a few seconds, and the design allows for a manual overdrive at any time during the tank cleaning operation.

The machine has very few moving parts requiring a minimum of service and is maintenance free below deck.

The drive unit can be removed without exposing the tank to atmosphere. Thanks to the magnetic transmission, there is no penetration between the drive unit and the turbine which means that any accidental leakage is eliminated.



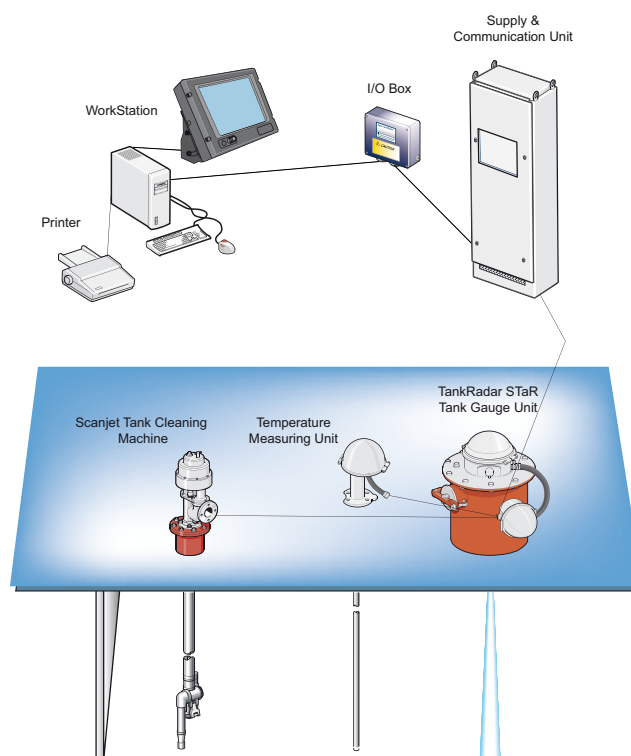
WashTrac™ Tank Cleaning Monitoring System

The innovative tank cleaning monitoring system is jointly developed by Saab Rosemount Marine and Scanjet Marine. By using already installed hardware, WashTrac™ monitors the tank cleaning operation onboard any tanker.

The WashTrac™ systems offers following features and advantages to operators.

- Operating status of tank cleaning machines
- Start/Stop alarm of tank cleaning machines
- Operation and prewash data logging on printer

Various options available



(Tank cleaning monitoring system recommended by Intertanko)