

Valves

SCANJET BFV

Introduction

The Scanjet BFV is a 100 % tight blind flange valve, available in different sizes, which can provide full separation between different tank or pipe sections.

Mounted in the piping between two tanks the blind flange valve can allow full flow between the tanks or full separation between the tanks. In separation mode, the blind flange valve has full visibility of the inside of the blind flange valve and allows for the complete drainage of any external fluids. When the blind flange valve is in flow mode, the valve discs can be safely stored in the specified storage slots on top of the blind flange valve.

The gasket in the lid and discs is made of PTFE, the advantages of PTFE as sealing material is high chemical resistance, excellent temperature performance (both high and low), low friction, and good mechanical properties like flexibility and compressibility.

Application

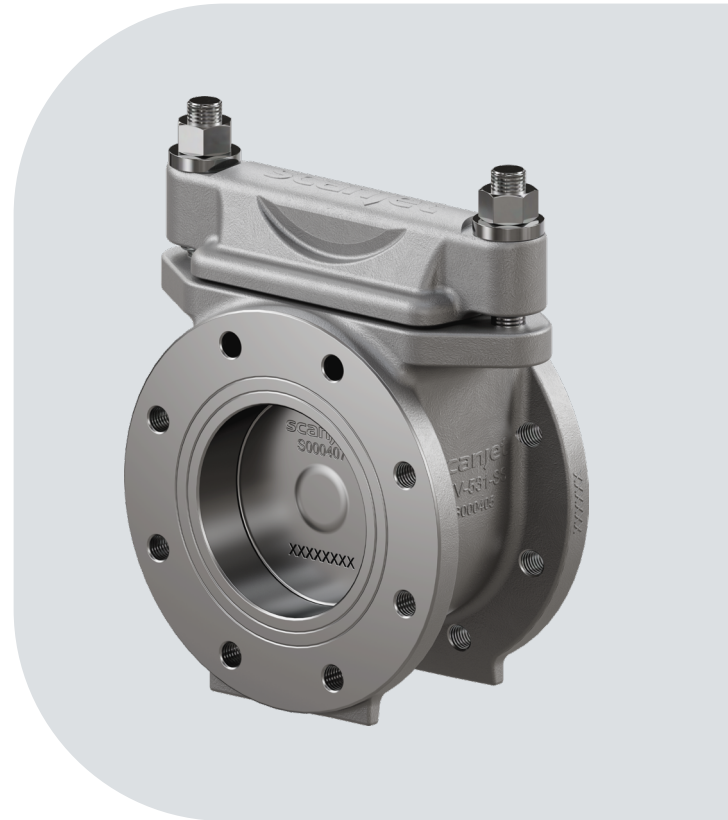
Typical applications for the BFV:

- Crude Oil Product
- Chemical Tankers
- Inland Barges / Inland Vessels
- Chemical Inland Barges
- Rigs
- Refineries
- Terminals
- Chemical Industries
- Petrochemical Industries

Working principle

The blind flange valve is mounted in the piping between two tanks. To set it in separation mode, open the top of the blind flange valve and insert the flange unit. Tighten the discs by turning the nut until both discs are tight against the sealing surface of the housing. Remove the drain plug (to facilitate for drainage) and let the top be open for easy inspection. It is now possible to store different types of fluid in each of the two tanks with full separation from the blind flange valve.

To change to full flow mode, attach the drain plug, loosen the nut and remove the flange unit. Attach and tighten the lid and put the flange unit in its position on top of the valve.



There is now flow between the tanks. Instead of using drain plug a ball valve can be installed for smoother usage which then can be opened to facilitate for drainage.

Benefits

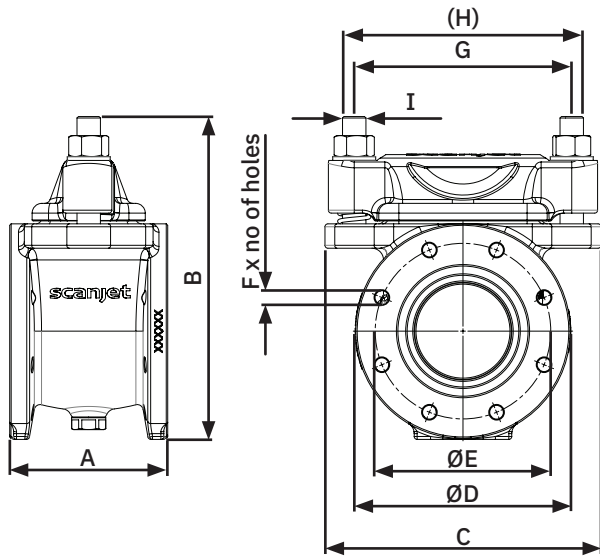
- Full segregation between different fluids
- Double shut off in one position
- Safety against wrong operation
- Drainage of valve body
- Visual inspection
- Quality and Cost
- Simple and efficient design
- Small overall dimensions
- Full Flow

Accessories

The valve comes with a wide range of accessories:

- Service kits
- Tool kits

Drawing



Material

Housing and Lid:	AISI 316L (2.8% Mo)
Discs:	EN1.4462
Sealings:	PTFE

Drainage plug thread size

Sizes smaller than DN80:	G (BSPP) 3/8"
Sizes DN80 to DN250:	G (BSPP) 1/2"

Measurements and Weights

Measurements (mm) and Weights

Model	PN/DN	A	B	C	D	E	G	H	F	No of holes (F)	I	Weight
BFV-525-SS	PN10/PN16 DN40	154	233	208	Ø150	Ø110	160	180	M16	4	M16	13.4 kg
BFV-526-SS	PN10/PN16 DN50	154	248	208	Ø165	Ø125	160	180	M16	4	M16	14.2 kg
BFV-527-SS	PN10/PN16 DN65	154	268	208	Ø185	Ø145	160	180	M16	8	M16	15.9 kg
BFV-528-SS	PN10/PN16 DN80	154	312	244	Ø200	Ø160	191	215	M16	8	M16	25.1 kg
BFV-529-SS	PN10/PN16 DN100	162	331	283	Ø220	Ø180	223	247	M16	8	M16	30.1 kg
BFV-530-SS	PN10/PN16 DN125	162	361	308	Ø250	Ø210	248	272	M16	8	M16	38.2 kg
BFV-531-SS	PN10/PN16 DN150	162	396	327	Ø285	Ø240	273	297	M20	8	M20	44.4 kg
BFV-532-2-SS	PN16 DN200	162	451	393	Ø340	Ø295	330	354	M20	12	M20	62.6 kg
BFV-533-SS	PN16 DN250	200	519	428	Ø405	Ø355	375	399	M24	12	M24	93.4 kg
BFV-534-SS	PN16 DN300	200	579	488	Ø460	Ø410	435	459	M24	12	M24	129.4 kg
BFV-535-SS	PN16 DN350	280	730	614	Ø520	Ø470	490	514	M24	16	M24	192.9 kg
BFV-542-SS	PN25 DN200	162	471	383	Ø360	Ø310	330	354	M24	12	M24	75.0 kg
BFV-532-SS	PN10 DN200	162	451	393	Ø340	Ø295	330	354	M20	8	M20	63.0 kg
BFV-553-SS	PN10 DN250	200	514	428	Ø395	Ø350	375	399	M20	12	M20	86.6 kg
BFV-554-SS	PN10 DN300	200	564	488	Ø445	Ø400	435	459	M20	12	M20	124.0 kg
BFV-556-SS	PN10 DN400	280	780	670	Ø565	Ø515	540	567	M24	16	M24	231.2 kg
BFV-569-SS	PN25/PN40 DN100	162	346	283	Ø235	Ø190	223	247	M20	8	M20	37.9 kg
BFV-570-SS	PN25/PN40 DN125	162	375	308	Ø270	Ø220	248	272	M24	8	M24	46.7 kg
BFV-571-SS	PN25/PN40 DN150	162	406	333	Ø300	Ø250	273	297	M24	8	M24	55.5 kg
BFV-572-SS	PN40 DN200	162	486	383	Ø375	Ø320	330	354	M27	12	M27	83.0 kg

Issue: Scanjet-BFV-datasheet_v20250618

This document and its contents are subject to copyrights and other intellectual property rights owned by Scanjet Marine & Systems AB or any of its affiliates (jointly "Scanjet"). No part of this document may be copied, re-produced or transmitted in any form or by any means, or for any purpose, without Scanjet's prior express written permission. Information and services provided in this document are made as a benefit and service to the user, and no representations or warranties are made about the accuracy or suitability of this information and these services for any purpose.

© Scanjet Marine & Systems AB. All rights are reserved.