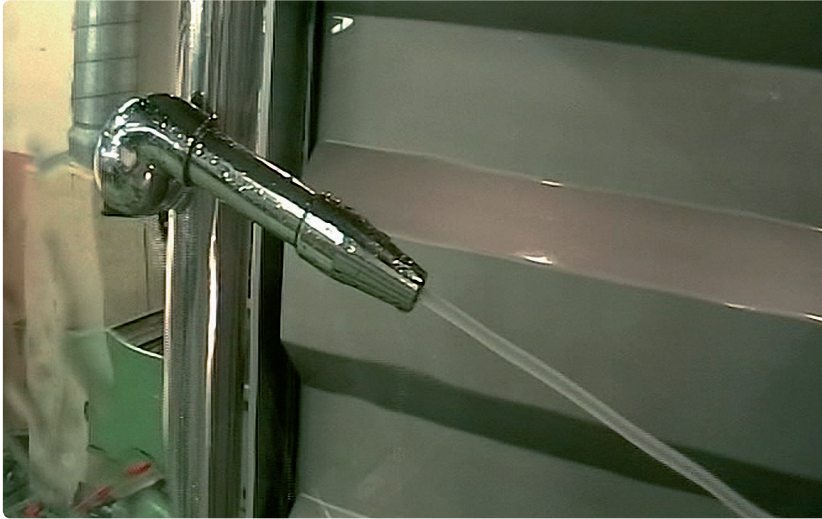


# SC 30T

Scanjet tank cleaning equipment



## KEY FEATURES

- + Programmable
- + Magnetic drive
- + Section cleaning
- + Rugged construction
- + External drive
- + Easy maintenance
- + High jet impact
- + Easy installation
- + Adjustable turbine

The SC 30T is a single nozzle mechanically programmable automated tank cleaning machine constructed of 316 stainless steel and other highly corrosion resistant materials.

The SC 30T allows the operator to wash the tank in a full 360deg mode or to set the nozzle angle to wash the tank within a particular section. The SC 30T also employs a patented magnetic drive transmission thus reducing the need for costly seal replacements and potential failures when used in hazardous environments. As the drive mechanism and other major components are external to the tank, this results in easy maintenance and a high level of safety when the cleaning of hazardous products are required.

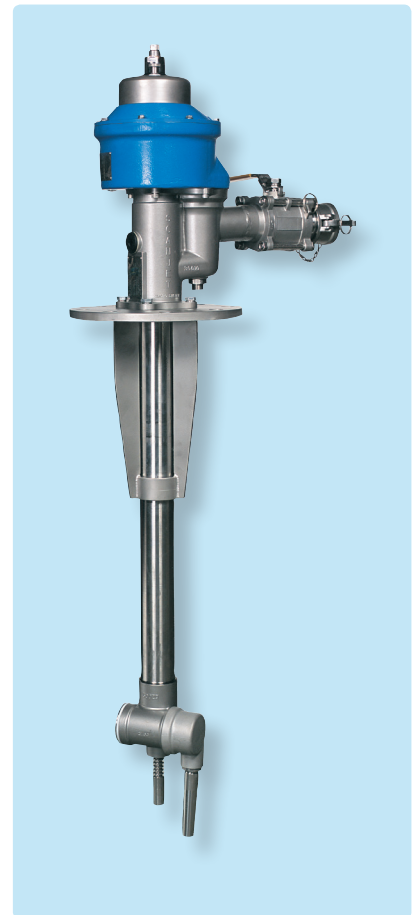
The SC 30T is the product of choice when long jet-lengths and/or a high level of jet impact is required.

### Quality Control, Compliances & Certifications

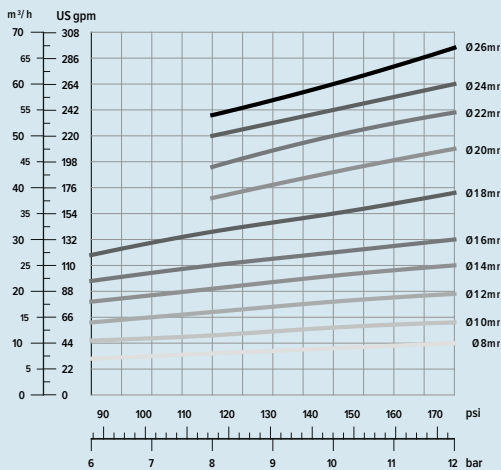
The SC 30T is produced in accordance with ISO 9001 Quality Standards and our certificate of conformity and accreditation is available on request. Additionally, the SC 30T conforms to United States ASME standards for construction and others available upon request.

### Typical applications for the SC 30T:

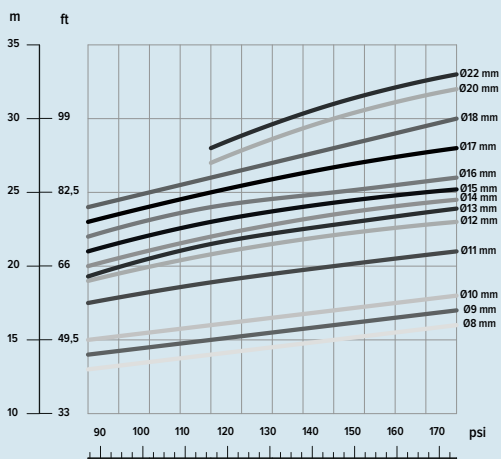
- + Ethanol fermenters
- + Crude oil storage tanks
- + Gasoline storage tanks
- + High density stock chest
- + Large silos and dryers
- + Over-the-road tankers and railcars
- + Reactors
- + Large Uni-Tanks



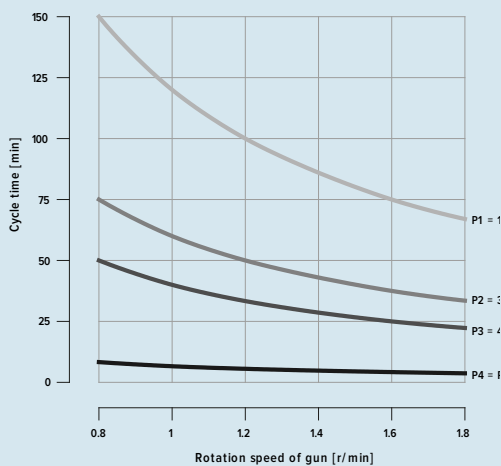
## Technical performance



Pressure/Flow

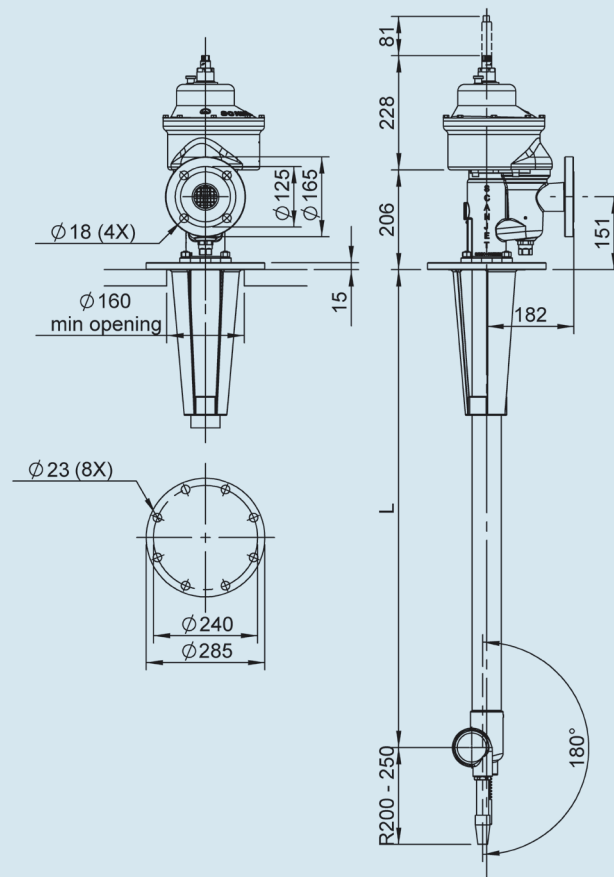


Jet length



Pattern time

## Dimensions



## Specifications

Flow	5-65 m <sup>3</sup> /h
Inlet pressure	6-12 bar
Max pressure	14 bar
Recommended pressure	8 bar
Max temperature	95°C
Rotation speed	1-1,6 rpm
Standard length	1500 mm
Weight	43 kg
	Per additional meter of main pipe
	10 kg
Tank connection	PN16 DN150
Inlet connection	PN16 DN50
Materials	AISI 316, PTFE, Viton
Lubrication	Cleaning Media



Scanjet Systems AB  
 P.O. Box 9316  
 SE-400 97 Göteborg Sweden  
 Phone + 46 31 338 75 30  
 Fax + 46 31 338 75 40  
 E-mail sales@scanjetsystems.com  
 Web www.scanjetsystems.com